

Installation Instructions

Cabin Filter

Instrucciones de montaje

Filtro de habitaculo

Notice de montage

Filtre d'habitacle

C16072C

LOCATION: UNDER THE HOOD*

QUANTITY USED: 2


DEGREE OF DIFFICULTY: EASY

ESTIMATED INSTALLATION TIME: 18 MINUTES

BMW 2007-10 X5 & 2008-10 X6

1. Open the hood.
2. Remove the seal strip from the right side of the plenum Figure 1.
3. Turn the cabin air filter cover fasteners, then remove the cover.
4. Disconnect the plug from the cabin air filter housing Figure 2.
5. Disengage the three cabin air filter housing fasteners, then remove the housing.
6. Disengage the retainers, then remove the cabin air filter element from the housing Figure 3.
7. Install the new cabin air filter into the filter housing.
8. Install the cabin air filter cover. Ensure the cabin air filter is properly seated in the housing.
9. Position the cabin air filter housing the plenum, then secure the housing by turning the three fasteners.
10. Connect the plug to the cabin air filter housing.
11. Install the cabin air filter cover and secure by turning the fasteners.
12. Install the seal strip.
13. Close the hood.

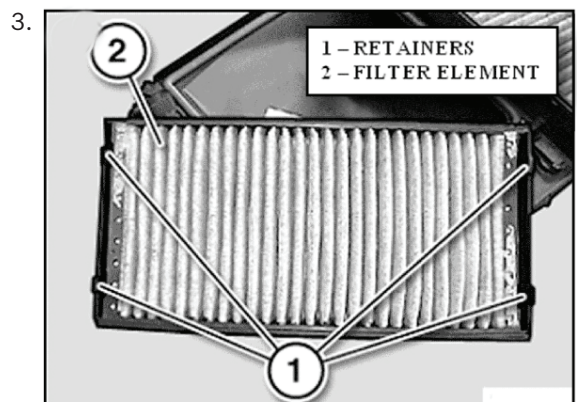
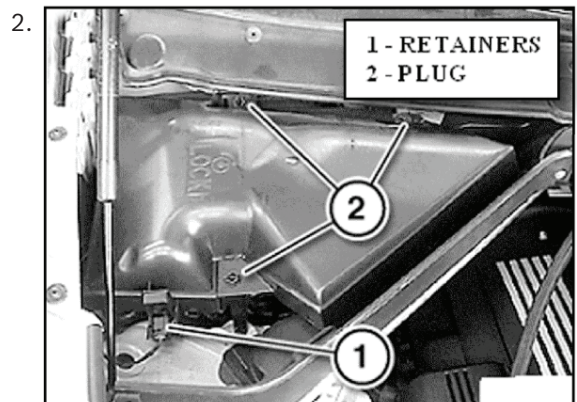
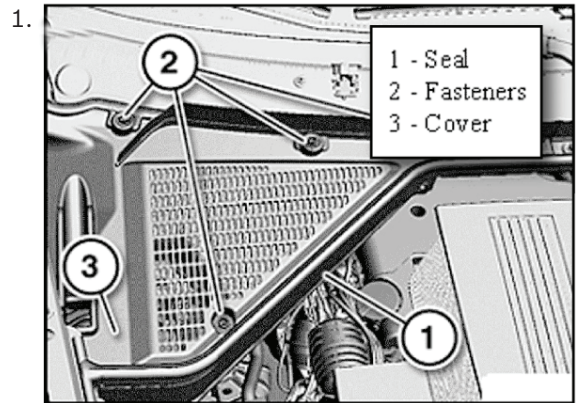
⚠ WARNING



STOP

Turn The Engine Off

Failure to do so may cause electrocution, burns and severe injury.



*Instructions may vary by make, model and year.