

Installation Instructions

Cabin Filter

Instrucciones de montaje

Filtro de habitaculo

Notice de montage

Filtre d'habitacle

C16177

LOCATION: BEHIND THE GLOVE COMPARTMENT*

QUANTITY USED: 1

DEGREE OF DIFFICULTY: EASY

ESTIMATED INSTALLATION TIME: 18 MINUTES

Chrysler 2011 Jeep Wrangler

The cabin air filter should be replaced every 12,000 miles.

1. Open the glove compartment and squeeze the tabs inward.
2. Lower the glove box and release the hinges, then remove the glove box.
3. Disengage the two retaining tabs that secure the two air filter access doors to the A/C-heater housing, Fig. 1.
4. Open the filter doors and remove the cabin air filter elements from the A/C-heater housing, Fig. 2.
5. Install the cabin air filter elements into the A/C-heater housing. If the filter is equipped with air flow direction markings, ensure the arrow symbol on the filter element is facing downward toward the floor.
6. Close the cabin air filter doors and engage the retaining tabs. Ensure the retaining tabs are properly engaged.
7. Install the glove compartment.
8. Close the glove compartment door.

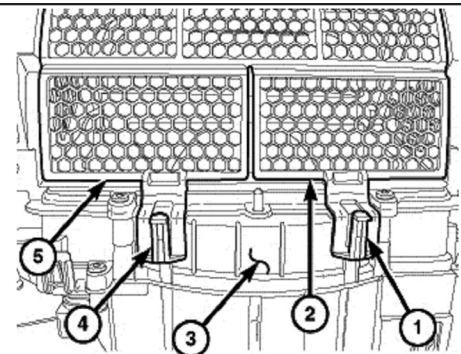
! WARNING



Turn The Engine Off

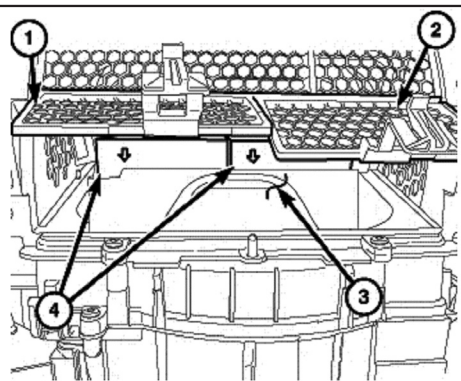
Failure to do so may cause electrocution, burns and severe injury.

1.



1. RETAINING TAB
2. FILTER COVER
3. A/C-HEATER HOUSING
4. RETAINING TAB
5. FILTER COVER

2.



1. FILTER DOOR
2. FILTER DOOR
3. A/C-HEATER HOUSING
4. FILTER ELEMENT

*Instructions may vary by make, model and year.