

**Installation Instructions**

Cabin Filter

**Instrucciones de montaje**

Filtro de habitaculo

**Notice de montage**

Filtre d'habitacle

**C25760**


**LOCATION: UNDER THE GLOVE COMPARTMENT\***

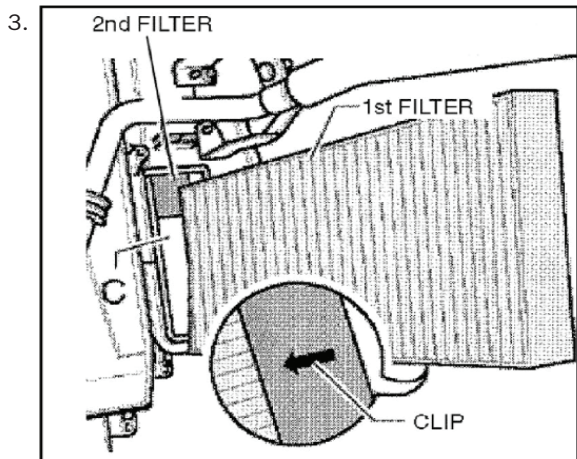
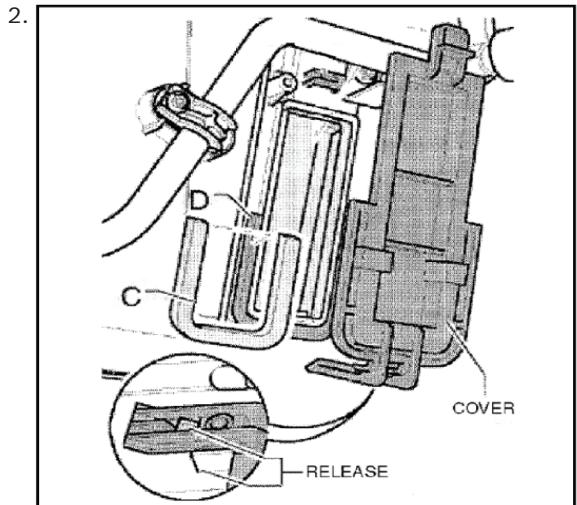
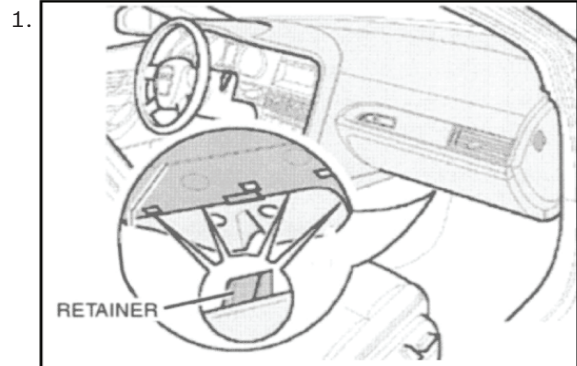
**QUANTITY USED: 2**

**DEGREE OF DIFFICULTY: EASY**

**ESTIMATED INSTALLATION TIME: 18 MINUTES**

1. Remove the instrument panel trim from under the glove compartment Figure 1.
2. From under the right side of the instrument panel, release the cabin air filter cover retainer and remove the cover Figure 2.
3. Remove the first cabin filter element from the filter housing, then the second filter element Figure 3.
4. Install the first new cabin air filter into the filter housing and move upward, then install the second filter element. Ensure the cabin air filter is properly positioned in the housing.
5. Install the cabin air filter cover. Ensure the release tab is properly engaged.
6. Install the instrument panel trim.

<b>⚠ WARNING</b>	
	<b>Turn The Engine Off</b> Failure to do so may cause electrocution, burns and severe injury.



\*Instructions may vary by make, model and year.