

Installation Instructions

Cabin Filter

Instrucciones de montaje

Filtro de habitaculo

Notice de montage

Filtre d'habitacle

C26078

LOCATION:	UNDER THE HOOD*
QUANTITY USED:	1
DEGREE OF DIFFICULTY:	MODERATE
ESTIMATED INSTALLATION TIME:	24 MINUTES


BMW

2004-05 645 & 2006-07 525, 530 & 2006-09 550, 650, M5, M6 & 2008-09 528 & 535

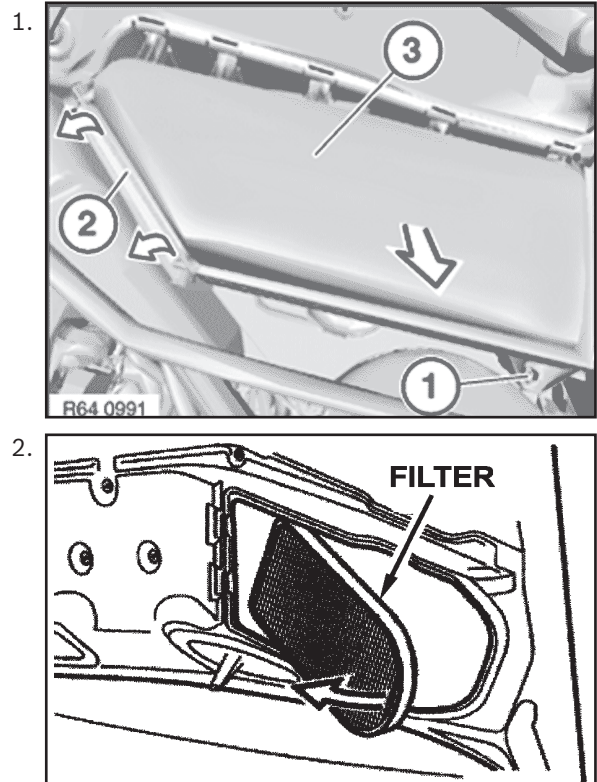
The service interval is determined by the service indicator.

1. Open the hood.
2. Rotate the quick release fastener 90° counterclockwise, Figure 1.
3. Release the retainer located at the side of the cabin air filter cover, then remove the cover.
4. Remove the cabin air filter element from the cover.
5. Install the new cabin air filter into the cover. Ensure the filter element is properly positioned.
6. Position the cabin air filter cover to the dust, then engage the retainer and turn the fastener 90° to secure.
7. Close the hood.

⚠ WARNING



Turn The Engine Off
Failure to do so may cause electrocution, burns and severe injury.



*Instructions may vary by make, model and year.