

Installation Instructions

Cabin Filter

Instrucciones de montaje

Filtro de habitaculo

Notice de montage

Filtre d'habitacle

C35541

| | |
|-------------------------------------|------------------------|
| LOCATION: | UNDER THE HOOD* |
| QUANTITY USED: | 1 |
| DEGREE OF DIFFICULTY: | MODERATE |
| ESTIMATED INSTALLATION TIME: | 24 MINUTES |

2002-05 Freelande

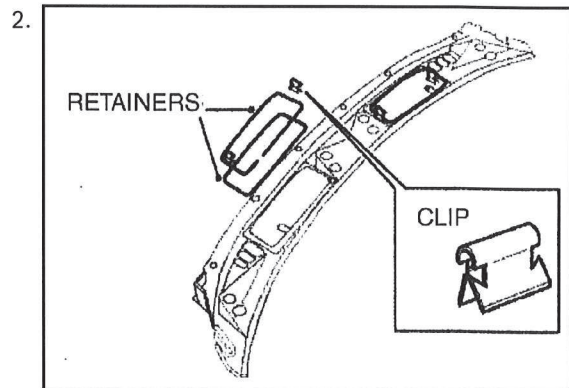
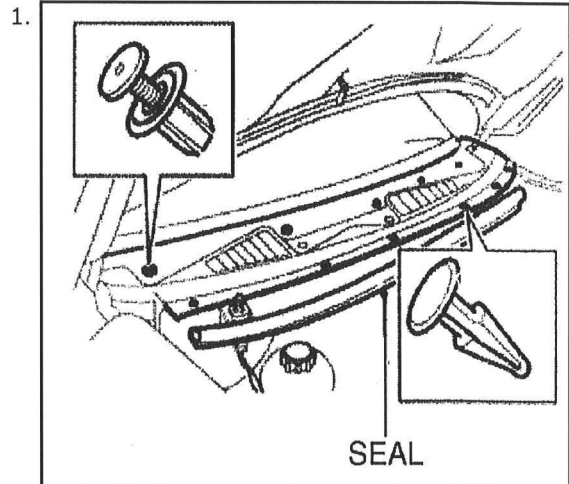
1. Open the hood.
2. Lift both the driver and passenger side wiper arms from the windshield, then depress the release levers and remove the blades.
3. Remove the wiper arm nut covers, then the nuts and wiper arms. Note the wiper arm positions for use during installation.
4. Remove the hood weather strip, Fig. 1.
5. Remove the cowl air inlet grille retaining screws and clips, then the cowl air grille, Fig. 1.
6. Remove the clips securing the cabin air filter element retainers, then remove the filter element, Fig. 2.
7. Install the new cabin air filter element into the cowl air inlet opening. Secure the filter with the retainers and clips.
8. Install the cowl air inlet grille and secure with retaining screws and clips.
9. Install the hood weather strip.
10. Position the wiper arms to the pivots, then install the retaining nuts and covers. Ensure the nuts are securely tightened and the arms are properly aligned.
11. Install the wiper blades. Ensure the retaining clips are properly engaged.
12. Close the hood and check windshield wipers for proper operation.

WARNING



Turn The Engine Off

Failure to do so may cause electrocution, burns and severe injury.



*Instructions may vary by make, model and year.