



Application: Application: Aplicación:

Kia Spectra, Borrego

Always refer to your current application guide for updated instructions.

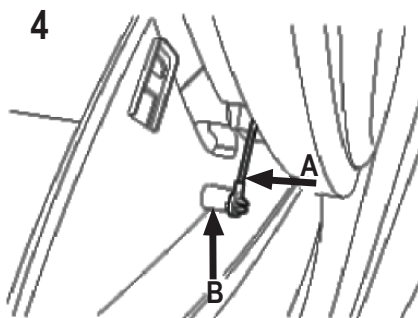
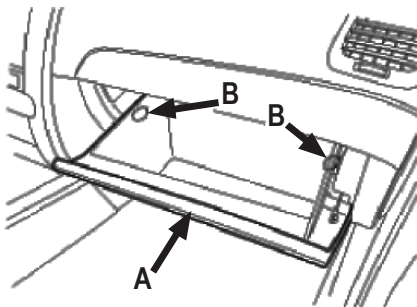
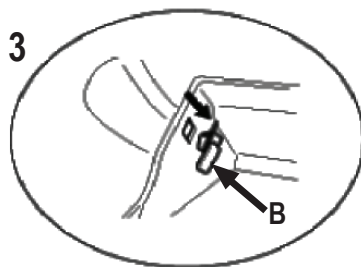
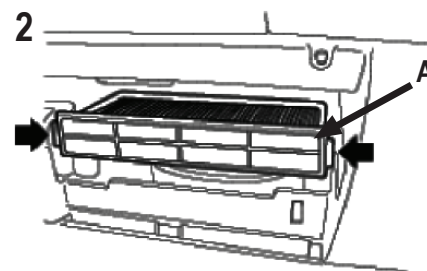
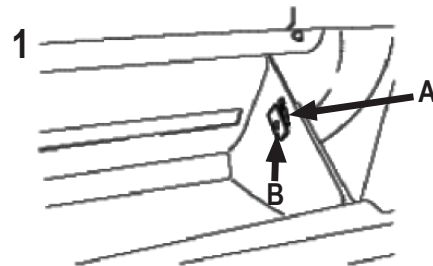
Location of cabin filter:

Behind glove box

To remove existing filter:

Spectra:

1. Open glove box. Lower the glove box down completely by removing the tension code (A) and the glove box stopper to the glove box (B). (Fig 1)
2. Remove the filter cover by pushing the knob. (Fig 2)
3. Replace the filter, install it after making sure of the direction of the air filter.
4. Reverse steps 1-2 to complete installation.



Borrego:

1. Open glove box. Lower the glove box down completely by removing the glove box stopper to the glove box (B). (Fig 3)
2. Remove the side damper (A) from the glove box (Fig 4)
3. Remove the filter cover by pushing the knob.
4. Replace the filter, install it after making sure of the direction of the air filter.
5. Reverse steps 1-3 to complete installation.